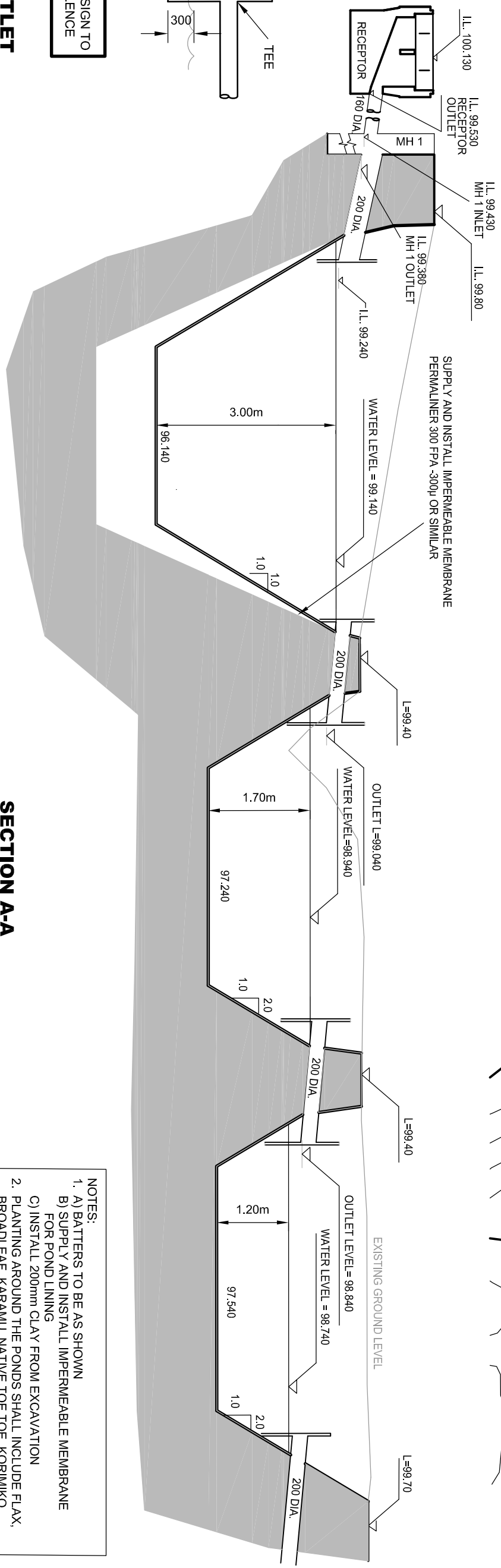
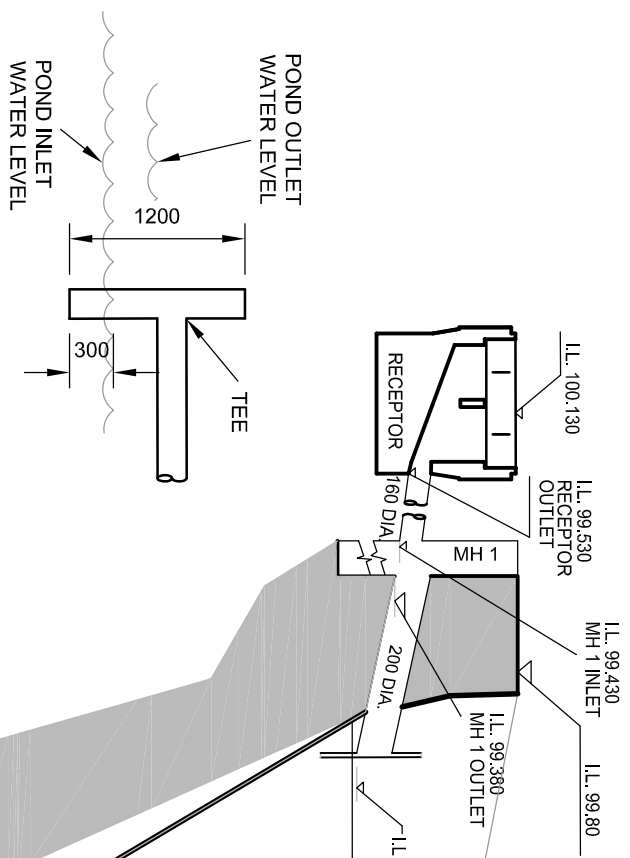
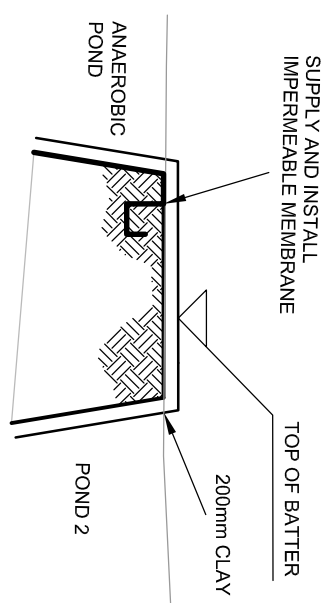


PLAN
SCALE: 1:500

BUND DETAIL
SCALE: 1/100



SECTION A-A
SCALE: HOR: 1/250
VERT: 1/75

- NOTES:**
1. A) BATTERS TO BE AS SHOWN
 - B) SUPPLY AND INSTALL IMPERMEABLE MEMBRANE FOR POND LINING
 - C) INSTALL 200mm CLAY FROM EXCAVATION
 2. PLANTING AROUND THE PONDS SHALL INCLUDE FLAX, BROADLEAF, KARAMU, NATIVE TOE TOE, KORIMIKO, OR SIMILAR
 3. MATERIAL FROM THE EXCAVATION SHALL BE DUMPED ON MR. CAMPBELL'S PROPERTY (NEIGHBOUR)



TEL: 0800 111 323
FAX: (06) 278-8757
www.stdc.co.nz



REV	REVISION DETAILS	DATE	CLIENT SIGNATURE
1	CHANGE BATTERS	OCT 05	

CONSULTANT	FIELDWORK:
G BHANA	C GONZALEZ
JOB NO:	DRAWN:
STR 3002.04	C GONZALEZ
CLIENT	CHECKED:
	APPROVED:
	RECOMMENDED:
	APPROVED:
	DATE:
	MAY 2005

WAVERLEY STOCK EFFLUENT OXIDATION PONDS PLAN & LONGITUDINAL SECTION

ORIGINAL SIZE A3	SCALE: AS SHOWN
DRAWING No.	65079
SHEET No. 1 OF 1	REV 1